

Sandvik DQ240

Surface Top Hammer Drills



Sandvik DQ240 is hydraulically operated, excavator mounted splitting and line drilling unit for dimensional stone quarries.

Together with excavator DQ240 is self contained drilling unit. All drilling functions can be executed from a remote control box. Thanks to the electronics, there are fewer levers to make it easy to use.

Hole Diameter:	22 - 45 mm ($\frac{7}{8}$ " - $1\frac{3}{4}$ ")
Rock Tools:	19 or 22 mm ($\frac{3}{4}$ " or $\frac{7}{8}$ ")
Rock Drill:	5,5 kW
Flushing Air:	3,5 m ³ /min, up to 8 bar
Total Weight	2 900 kg

STANDARD COMPONENTS

Rock drills	2 x HEX 1, hydraulic
Chain feeds	2 x CF 100 x 24
Hydraulic system	Open center
Control system	2 x TA 341 E-24, electric remote
Dust collector	DC 710 H
Shank lubricators	2 x WL 30
Trimmer frame	
Hydraulic jacks	4 pcs
Working lights	2 pcs
Excavator assembly kit *)	
Lock valves for excavator boom cylinders	
Manuals	Operating maintenance and spare parts manuals: 1 x paper copy 1 x CD-ROM

***) Not delivered by Sandvik:**

Mounting bracket between excavator boom and DQ240
Hydraulic connection between Trimmer and excavator hydraulics

SELECTION OF OPTIONS

1.	2 x Chain feeds CF 100 x 32 (replaces the standard component)	
	Length of feed:	4 540 mm
	Rock drill travel:	3 200 mm
	Max. length of starter rod:	3 200 mm
	Hole depth with starter rod:	2 790 mm
	Max. length of second rod:	6 400 mm
	Hole depth with second rod:	5 990 mm
	Single pass first drill steel:	3 600 mm
	Hole depth:	3 200 mm
	Weight / piece:	235 kg
2.	2 x Chain feeds CF 100 x 40 (replaces the standard component)	
	Length of feed:	5 240 mm
	Rock drill travel:	3 900 mm
	Max. length of starter rod:	4 000 mm
	Hole depth with starter rod:	3 590 mm
	Max. length of second rod:	7 900 mm
	Hole depth with second rod:	7 490 mm
	Single pass first drill steel:	4 300 mm
	Hole depth:	3 900 mm
	Weight / piece:	250 kg

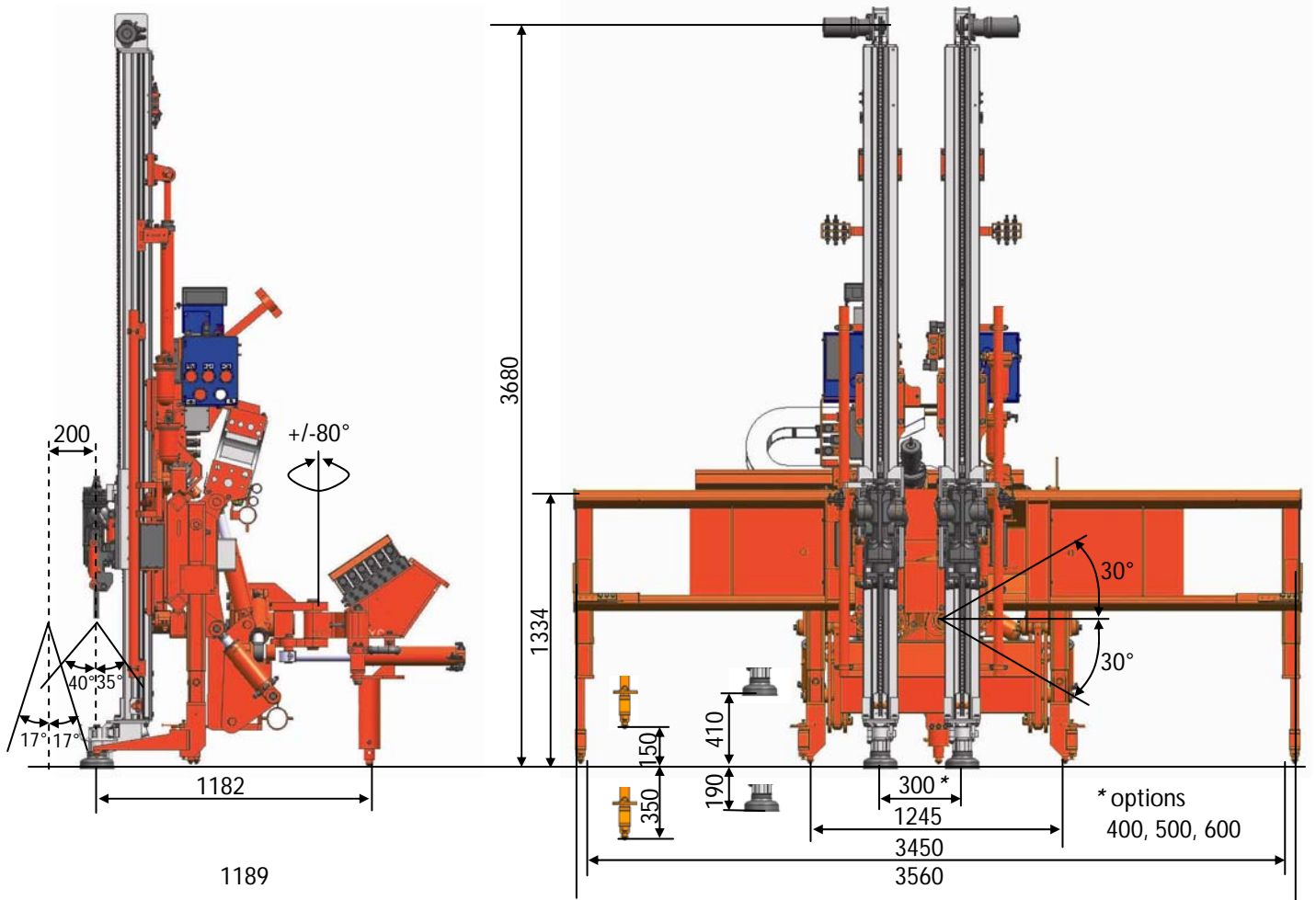
THE JAWS FOR DRILL STEELS

Drill steel type	Drill steel diameter	Recommended hole diameter
Hexagonal steels	19 mm $\frac{3}{4}$ "	22 - 27 mm $\frac{7}{8}$ " - $1\frac{1}{16}$ "
Hexagonal steels	22 mm $\frac{7}{8}$ "	28 - 45 mm $1\frac{7}{64}$ " - $1\frac{3}{4}$ "

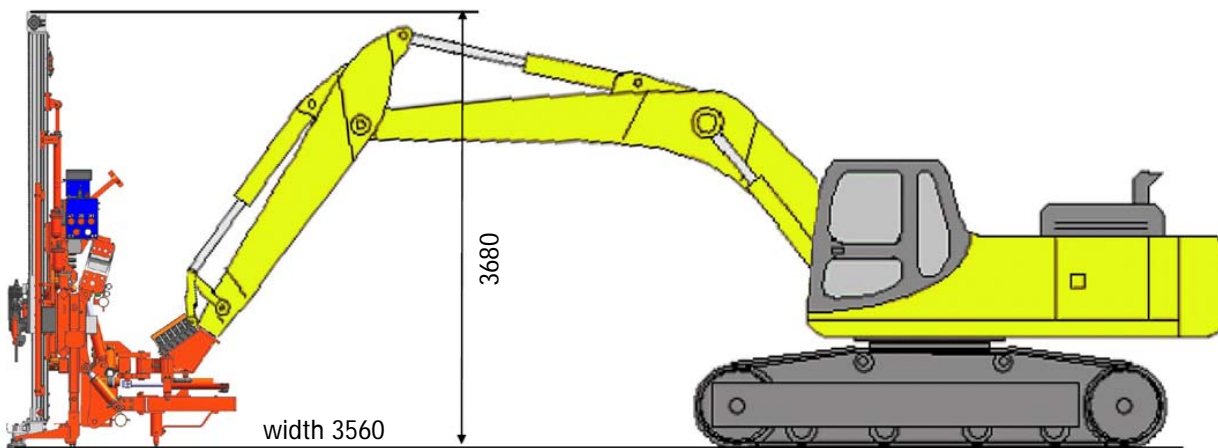
If several jaws selected please specify jaws assembled

3.	Steel wearing strips for chain feeds, 2 sets
4.	Drill steel pulling device with hydraulic front centralizer
5.	Hydraulic front centralizer
6.	Spirit level angle indicator
7.	Remote control for excavator boom and swing
8.	Hydraulic drill steel grinder; Dynaset
9.	Hydraulic drill steel grinder for hexagonal steels, Sanroc RG100H
10.	Water flushing kit for DQ240, 2 sets
11.	Special ground support
12.	Special tools for HEX 1 rock drill, complete ID 550 259 07
13.	Extra manuals

DIMENSIONS



TRANSPORT DIMENSIS AND COVORAGE AREA



Notice: The transport dimensions are for trailer transportation and may vary according to excavator

Weight; without excavator	2 900 kg
Width	3 470 mm
Height	3 680 mm

Sandvik Mining and Construction reserves the right to change this specification without further notice.

Sandvik Mining and Construction Oy
 P.O.Box 100, FIN-33311 Tampere, Finland
 Tel. +358 205 44 121, Telefax +358 205 44 4771
 www.sandvik.com