

**DTC50** H110



**DRILLING EQUIPMENT**

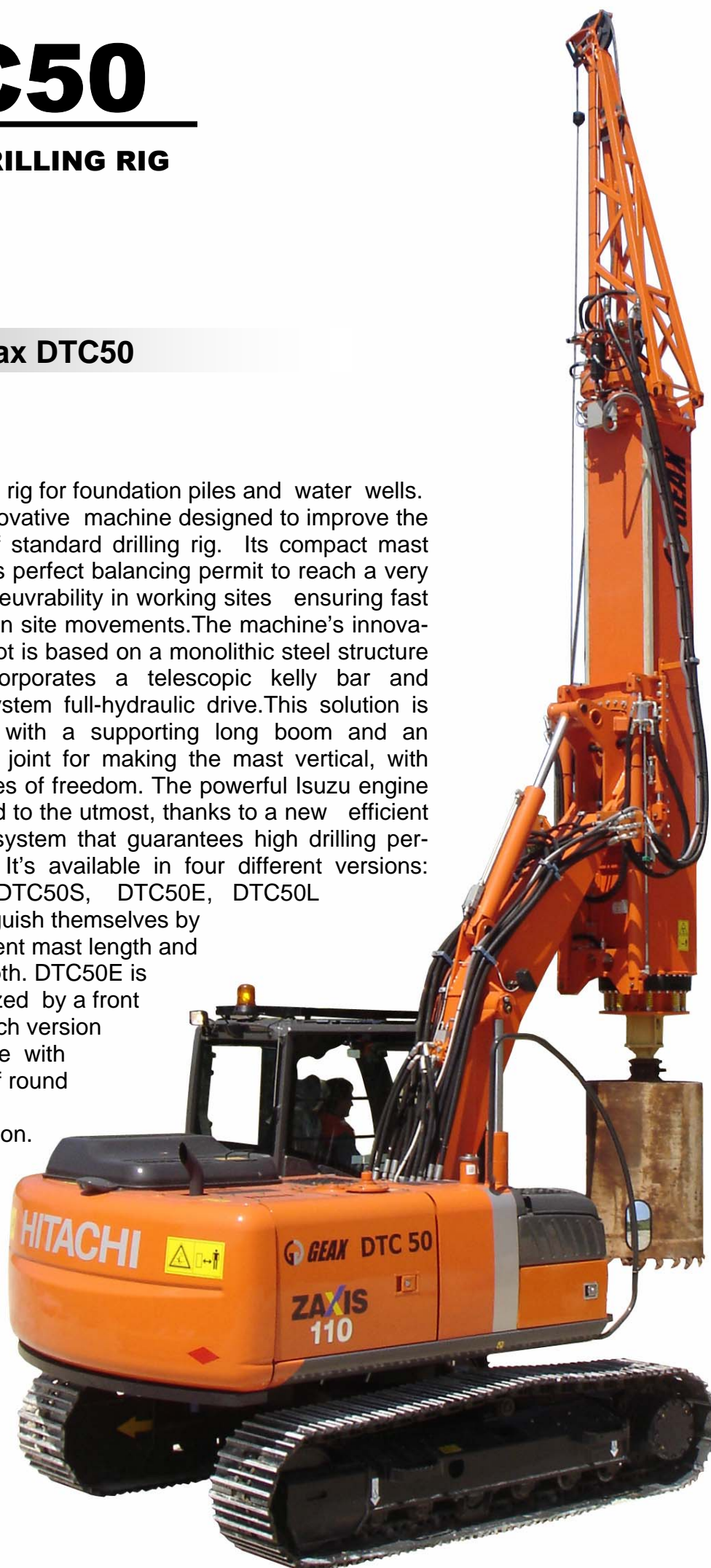


# DTC50

## HYDRAULIC DRILLING RIG

### The Geax DTC50

Is a drilling rig for foundation piles and water wells. It is an innovative machine designed to improve the concept of standard drilling rig. Its compact mast and its perfect balancing permit to reach a very high manoeuvrability in working sites ensuring fast and safe on site movements. The machine's innovative concept is based on a monolithic steel structure which incorporates a telescopic kelly bar and rotation system full-hydraulic drive. This solution is combined with a supporting long boom and an articulated joint for making the mast vertical, with two degrees of freedom. The powerful Isuzu engine is exploited to the utmost, thanks to a new efficient hydraulic system that guarantees high drilling performance. It's available in four different versions: DTC50, DTC50S, DTC50E, DTC50L that distinguish themselves by their different mast length and drilling depth. DTC50E is characterized by a front dozer. Each version is available with kelly bar of round or square cross-section.



# DTC50

## HYDRAULIC DRILLING RIG

### A new, solid and compact Mast

- high overall rigidity
- guided bars
- independent movement for the vertical alignment of the tower, saving initial set-up time
- rope paths which do not depend on the position of the tower, increasing reliability and helping to reduce initial set-up times
- the mast can easily be positioned to lower the machine's centre of gravity, allowing safe on-site manoeuvring
- the mast can be easily adjusted to the same height as the cabin
- the machine can be operated with a variety of tool axis distances to adapt it to different on-site situations
- the operator is given good visibility of the work area
- ease of use
- reduction of noise during bucket unloading



# DTC50

## HYDRAULIC DRILLING RIG

### TECHNICAL FEATURES

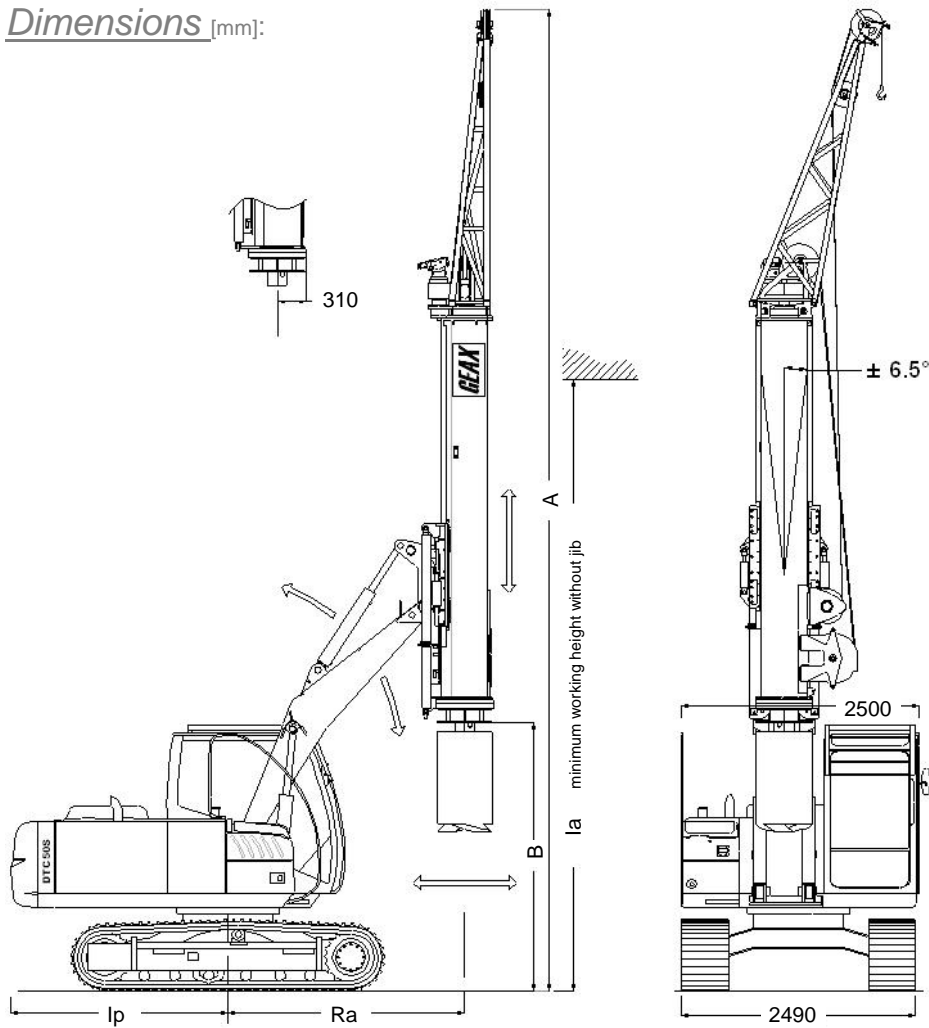
|                                       |  |
|---------------------------------------|--|
| <b>Base</b>                           | <i>Hitachi Zaxis 110- 3</i>                                      |
| Undercarriage length                  | 3340 mm/ 10.96 ft  |
| Undercarriage width                   | 2490 mm / 8.17 ft  |
| Shoe                                  | 500 mm / 1.64 ft   |
| Engine type                           | ISUZU AJ-4JJ1X   |
| Engine power                          | 69 kW / 93 hp  |
| <b>Mast</b>                           |  |
| Side rake                             | $\pm 6,5^\circ$  |
| Stroke                                | 1600 mm / 5.25 ft  |
| <b>Telescopic kelly bar</b>           | <i>square-circular</i>   |
| Square connection                     | 100 - 120 - 130 mm / 3.93 - 4.72 - 5.19 in                       |
| Max pile depth                        |  |
| mod.DTC50                             | 23,4 m / 76.78 ft - (19,5 m / 64 ft with interlocking bar)       |
| mod.DTC50S                            | 25,5 m / 83.64 ft - (21 m / 68.88 ft with interlocking bar)      |
| mod.DTC50E (version with front dozer) | 25,5 m / 83.64 ft - (21 m / 68.88 ft with interlocking bar)      |
| mod.DTC50L                            | 29 m / 95.14 ft - (25 m / 82 ft with interlocking bar)           |
| Max pile diameter                     | 1200 mm / 3.93 ft  |
| <b>Rotary</b>                         | <i>Hydraulic</i>   |
| Max nominal torque                    | 4700 daNm / 34,028 lb <sub>f</sub> ft                            |
| Drilling speed                        | 12-50 rpm  |
| Spin off speed                        | 50 rpm   |
| <b>Winches</b>                        | <i>Hydraulic</i>   |
| Main winch line pull                  | 8000 daN / 17,985 lb <sub>f</sub>                                |
| Auxiliary winch line pull             | 2500 daN / 5,620 lb <sub>f</sub>                                 |
| <b>Hydraulic system</b>               |  |
| n.2 piston pumps                      | Portata : 2 X 110 l/min / flow :2 X 24.2gal <sub>(UK)</sub> /min |
| n.1 auxiliary pump                    | Portata : 33 l/min / flow : 7.26 gal <sub>(UK)</sub> /min        |
| <b>Weight</b>                         |  |
| mod.DTC50                             | 14500 kg / 31,967 lb   |
| mod.DTC50S                            | 15000 kg / 33,070 lb   |
| mod.DTC50E (version with front dozer) | 15500 kg / 34,162 lb   |
| mod.DTC50L                            | 16500 kg / 36,376 lb   |

Technical data are indicative and subject to change without notice.

# DTC50

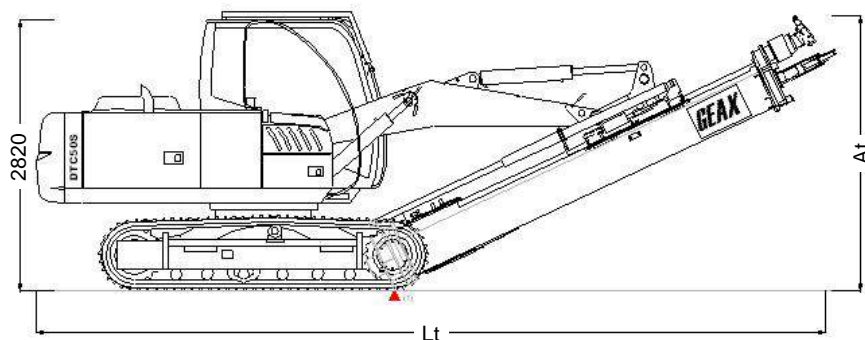
## HYDRAULIC DRILLING RIG

Dimensions [mm]:



WORKING CONDITION

| [mm]<br>[feet] | Transport condition |             | Working condition |                      |              |                           |             |
|----------------|---------------------|-------------|-------------------|----------------------|--------------|---------------------------|-------------|
|                | Lt                  | At          | A typical         | B                    | la           | Ra                        | lp          |
| <b>DTC50</b>   | 7600<br>24.9        | 2820<br>9.2 | 10000<br>32.8     | 0 - 3000<br>0 - 9.8  | 6200<br>20.3 | 1700 - 3000<br>5.6 - 9.8  | 2130<br>7.0 |
| <b>DTC50S</b>  | 8130<br>26.7        | 2820<br>9.2 | 10500<br>34.4     | 0 - 3250<br>0 - 10.7 | 6500<br>21.3 | 1700 - 3200<br>5.6 - 10.5 | 2310<br>7.6 |
| <b>DTC50E</b>  | 8130<br>26.7        | 2820<br>9.2 | 10500<br>34.4     | 0 - 3250<br>0 - 10.7 | 6500<br>21.3 | 1700 - 3200<br>5.6 - 10.5 | 2310<br>7.6 |
| <b>DTC50L</b>  | 8600<br>28.2        | 3000<br>9.8 | 11000<br>36.1     | 0 - 3000<br>0 - 9.8  | 7000<br>23.0 | 1700 - 3000<br>5.6 - 9.8  | 2310<br>7.6 |



TRANSPORT CONDITION

# DTC50

## HYDRAULIC DRILLING RIG

*Photogallery:*



# DTC50

HYDRAULIC DRILLING RIG



**BORN TO WORK**



***GEAX***s.r.l.

Drilling equipment  
via Campoceraso n.11  
60027 Osimo (AN) Italy  
tel. +39 071 715199  
<http://www.geax.it>  
[info@geax.it](mailto:info@geax.it)